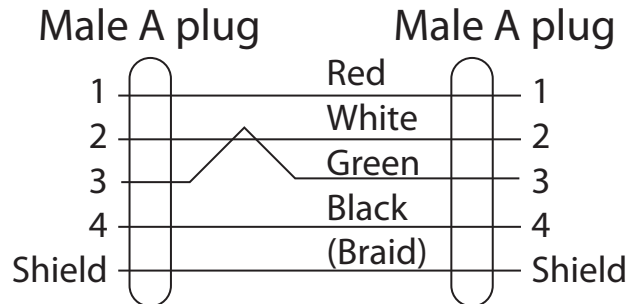


Material:

- Cable: UL2725 ,T.C. #28(7/0.127)x1Pair(Green,White)+T.C. #24(7/0.2)x2C(Red,Black)+AL/MY+Drain+65%Braid
 - ø4.7MM
 - Beige PVC
- Connectors: USB Male A plug
- Molded Type

USB Configuration



⊕ = Assmann logo



<i>ITEM NO.</i>	AK670/2-R
<i>TITLE</i>	USB 2.0 Cable - Male A <=> Male A, 2 Meters

ASSMANN

Electronics, Inc.

1840 W. Drake Drive, Suite 101 • Tempe, AZ 85283
Toll Free: 1-877-277-6266 • Email: info@usa-assmann.com

THIS DRAWING IS UNPUBLISHED
©Copyright 2009 by Assmann Electronic Components
All International Rights Reserved